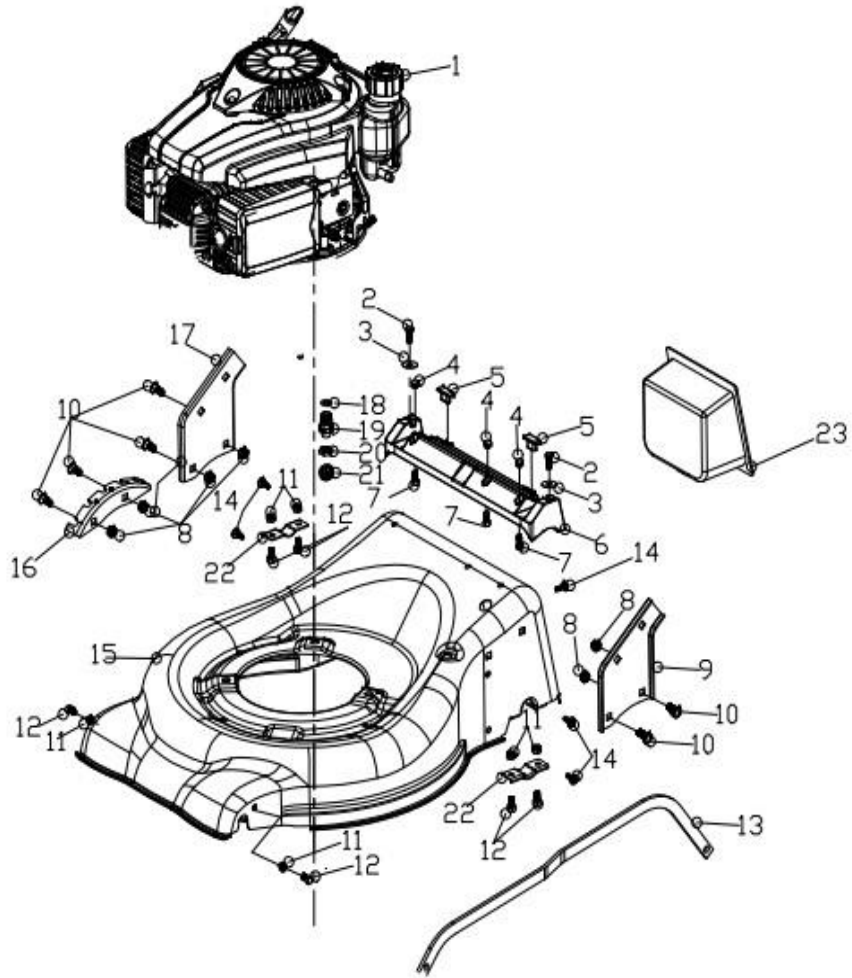


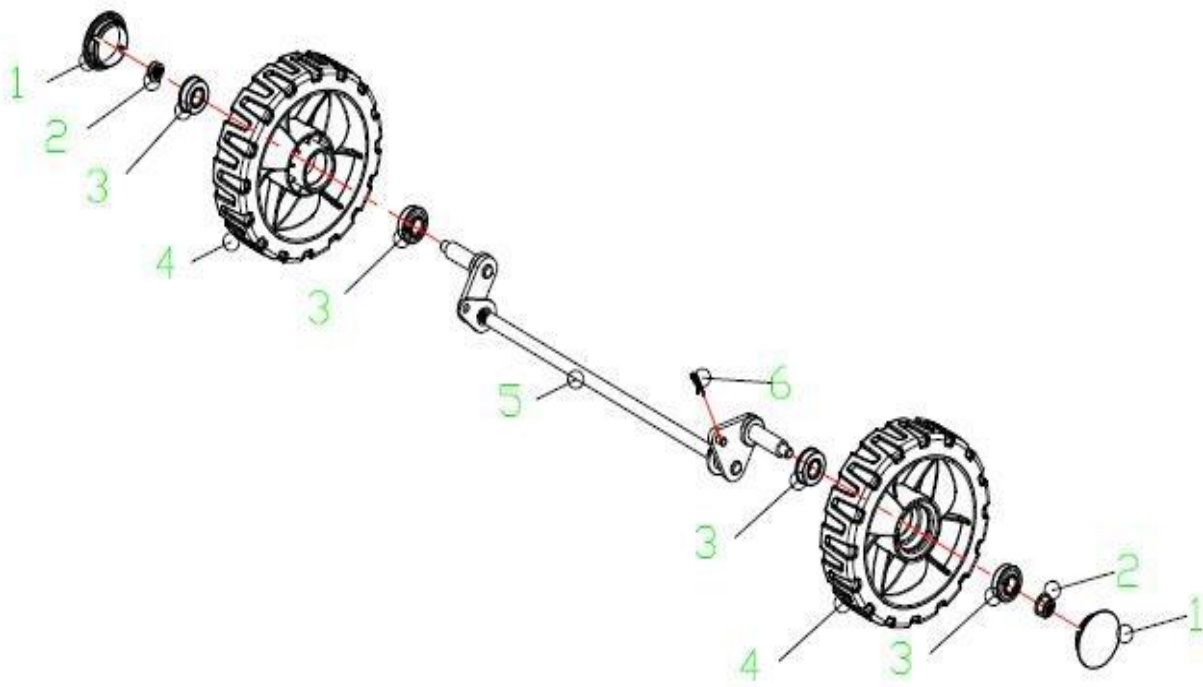
1	foam pipe	1
2	stop lever	1

3	Self-propelled Lever	1
4	upper handrail	1
5	Rope Guide	1
6	Cap nut	1
7	Brake Cable Assy plate	1
8	Bolt	2
9	Self-locking nut	2
10	brake cable	1
11	Hexagon nut	6
12	thick knob	4
13	flat washer	6
14	heterotypic carriage bolts	2
15	lever guard	1
16	Half round head square neck bolts	2
17	Half round head square neck bo	2
18	lower handrail	2
19	fastener	1
20	thin knob	2
21	handrail stopper	2
22	selfpropelled cable	1

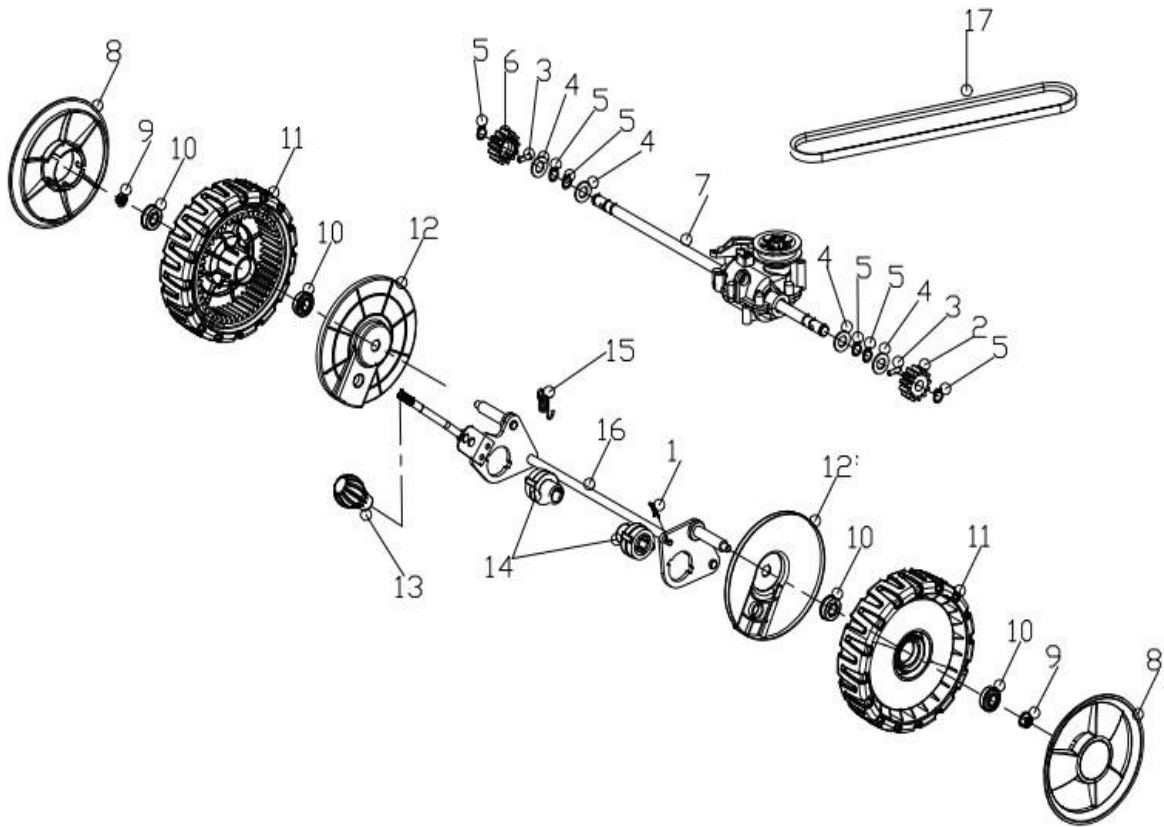


1	petrol engine	1
2	Phillips flat head self tapping screw	2
3	Large flat washer	2
4	Self-locking nut	3

5	rear discharge base	2
6	rear discharge base	1
7	Bolt	3
8	Hex lock nut	6
9	right bracket	1
10	Half round head square neck bolts	6
11	Self-locking nut	6
12	Bolt	6
13	Height Adjustment Pull Rod	1
14	Phillips flat head self tapping screw	5
15	deck assy.	1
16	height adjustment board	1
17	right bracket	1
18	"O" ring	1
19	inlet	1
20	Pipe connector nut	1
21	cable stopper	1
22	Displacement pressure plate after	2
23	mulching plug	1

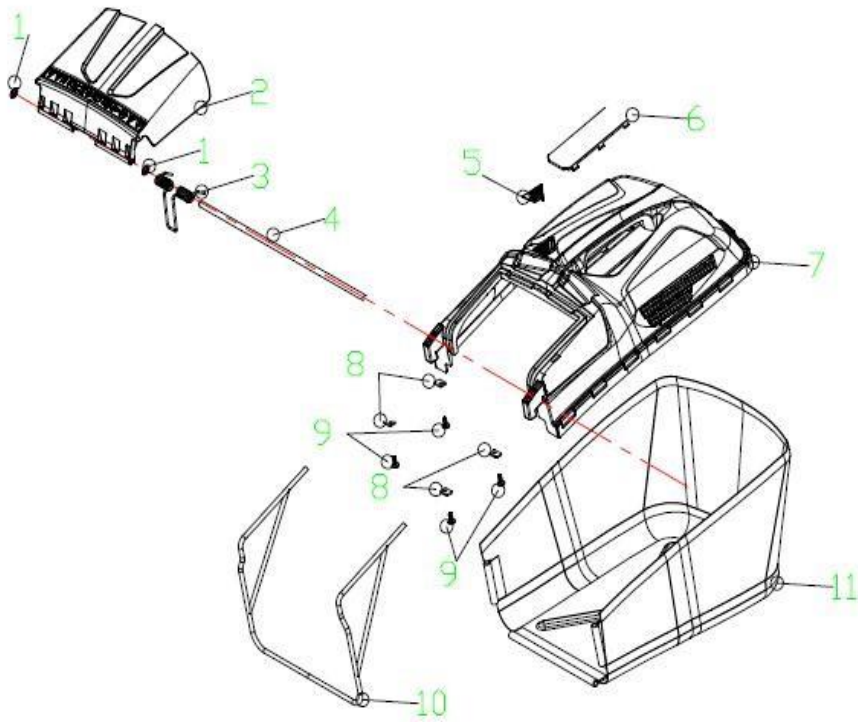


1	outer cover of hub	2
2	Self-locking nut	2
3	wheel punch bearing	4
4	wheel assy.	2
5	front drive assy.	1
6	R type pin	1



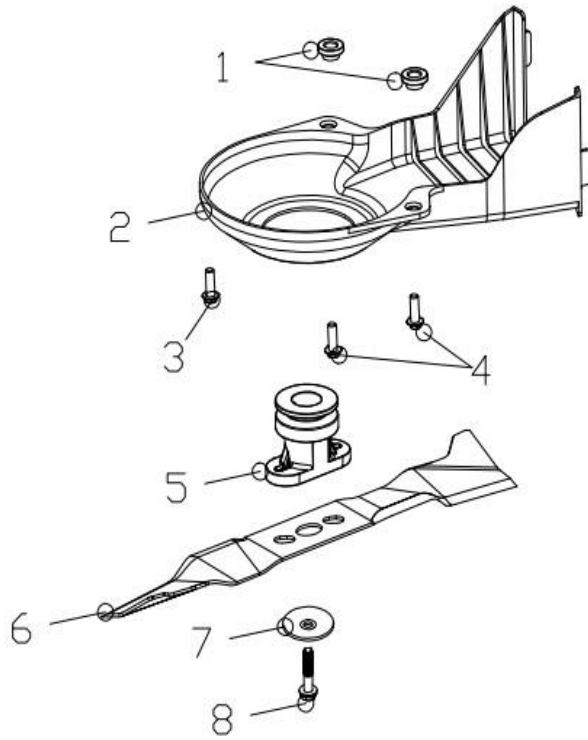
1	R type pin	1
2	Ratchet Wheel L	1
3	bratchet pin	2
4	selfpropelled ratchet washer	4
5	spring washer	6
6	Ratchet Wheel L	1
7	self-propelled assy.	1

8	outer cover of hub	2
9	Self-locking nut	2
10	wheel punch bearing	4
11	outer cover of hub	2
12	inner cover of hub	2
13	height adjustment ball	1
14	rear wheel axle sleeve	2
15	selfpropelled spring	1
16	rear drive assy.	1
17	v belt	1

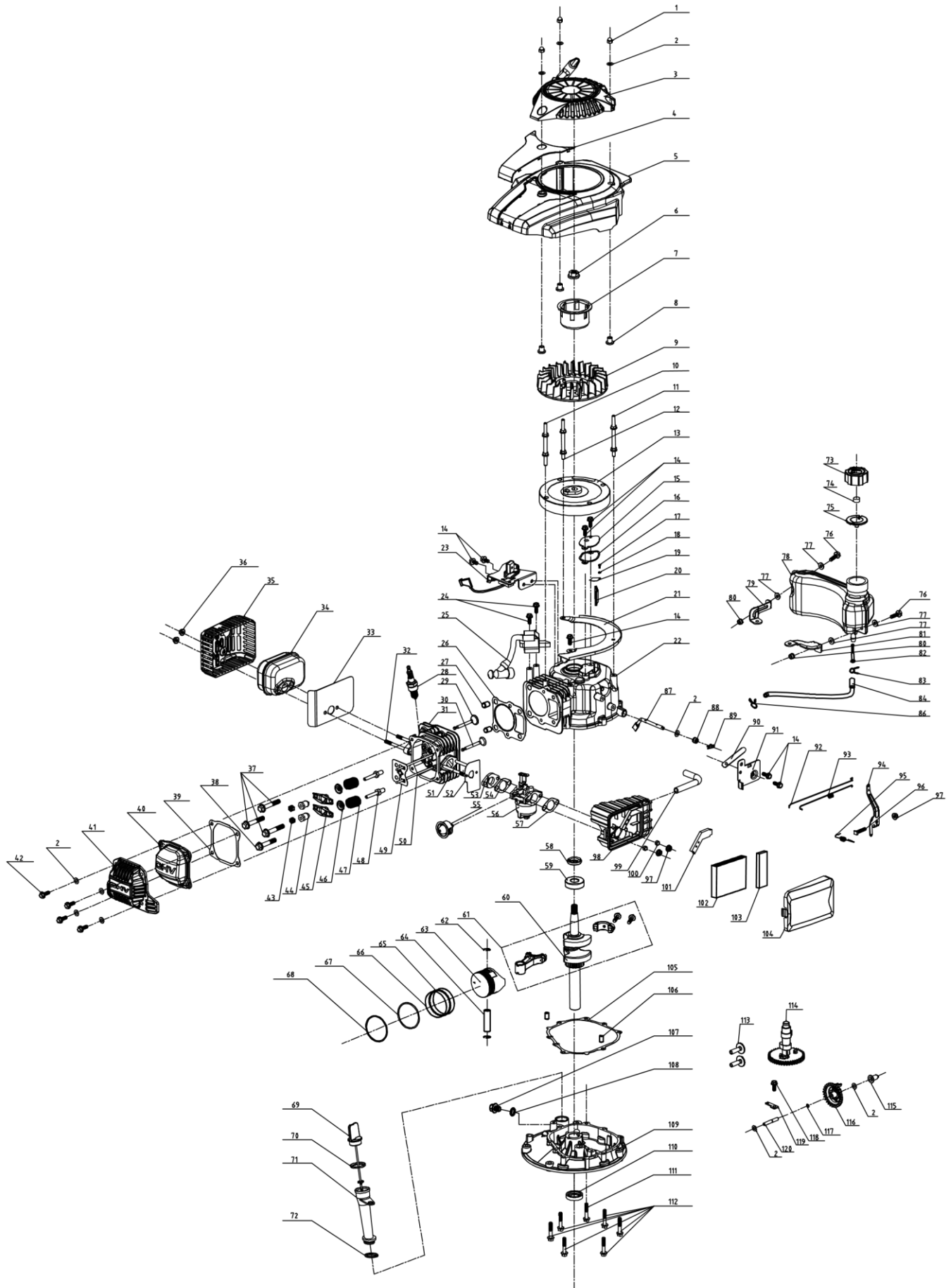


1	lock washer	2
---	-------------	---

2	back	1
3	cover spring	1
4	Shaft for rear discharge cover	1
5	air-out board of fabric grass bag cover	1
6	protection board of grass bag	1
7	top of grass box	1
8	Gasket	4
9	Phillips flat head self tapping screw	4
10	plastic top frame	1
11	fabric grass bag	1



1	Chassis bushing	2
2	belt cover	1
3	Hex flange bolts	1
4	Hex flange bolts	2
5	Blade Adapter	1
6	Blade	1
7	blade washer	1
8	Inch hex flange bolts	1



							宁波市德源机械有限公司		
							T100汽油机		
设计	审核	分图	更改文件号	姓名	年月日	数量	重量	比例	
制图			审完			1		1:4	
审核						共 1 页 第 1 页		版本 A1	
工艺			批准						

BOM 单

pozice	název
1	Cap nut
2	Gasket
3	starter assy.
4	decoration board
5	Blower Housing
6	Hex flange nuts
7	starter hub
8	
9	fan
10	Special bolt I
11	Special bolt II
12	Special bolt III
13	flywheel assy
14	Bolt
15	Respirator Cover Plate Assy
16	
17	Cross recessed small Pan head screws
18	spring washer
19	Respirator spring steel valve element
20	oil filter net
21	Blower board
22	crankshaft box assy.
23	detent assy.
24	Bolt
25	ignition assy.
26	
27	spacing pin
28	spark plug
29	IntakeValve
30	Exhaust Valve
31	cylinder head assy.
32	Dual-head bolts
33	
34	muffler assy.
35	muffler cover assy.
36	Self-locking nut
37	locking bolt
38	locking bolt

BOM 单

39	
40	cylinder head cover
41	cylinder head cover
42	Bolt
43	And nuts
44	Valve adjustment nut
45	Rocker of Valve
46	Spring Coil of Intake Valve
47	valve spring
48	valve rocker arm support bolts
49	push rod director plate
50	push rod
51	Dual-head bolts
52	
53	Air Inlet Pipe
54	
55	prime button II
56	carburetor assy.
57	
58	oil seal
59	rolling bearing
60	crankshaft assy.
61	connecting rod assy.
62	Piston Pin circlip
63	Piston
64	piston pin
65	Bushing Ring
66	Guide Rail
67	Piston Ring II
68	Piston Ring I
69	Lubricating Gauge Assy
70	
71	inlet fuel pipe
72	
73	fuel tank cap
74	fuel tank cap sponge
75	Fuel Tank Cap seal gasket
76	Bolt
77	Cushion Blocking gasket
78	fuel tank body

BOM 单





79	right bracket of fuel tank
80	Self-locking nut
81	left bracket of fuel tank
82	
83	fuel pipe lock clamp I
84	inlet fuel pipe
85	
86	fuel pipe lock clamp II
87	rate-limiting rocker arm shaft
88	oil seal
89	R type pin
90	clip
91	single phrase throttle assy.
92	Handspike of Valve
93	valve spring
94	throttle rocker arm
95	valve spring
96	bolt
97	Hex flange nuts
98	Air Filter Pedestal
99	waste pipe
100	air filer bush
101	Exhaust Gas Cover Board
102	
103	
104	Air Filter Upper Cover
105	
106	spacing pin
107	Oil drain bolt
108	Oil drain bolt gasket
109	Crank box cover
110	oil seal
111	Bolt
112	Bolt
113	pin
114	nynon camshaft assy.
115	Sliding Sleeve
116	rete-limiting gear assy.
117	Gear Shaft circlip
118	Bolt
119	rate-limiting gear shaft clamp




BOM 单

120	rate-limiting gear shaft
-----	--------------------------

122 75390010000K klínek setrváku

1	Blade Adapter	 A 3D rendered model of a blade adapter. It consists of a cylindrical base with a wider top flange. The top flange has two circular indentations on its surface. The base has a central hole and a smaller hole on its side.
2	Blade	 A 3D rendered model of a blade. It is a long, narrow, curved metal piece with a pointed tip. There are three circular holes along its length, and a small notch at the base.
3	belt cover	 A 3D rendered model of a belt cover. It is a curved, rectangular piece with a circular opening on one side. It has a small tab on the other side and a hole for a bolt.

4	outer cover of hub	
5	wheel assy.	
6	wheel punch bearing	
7	rear discharge base	

8	thick knob	
9	outer cover of hub	
10	outer cover of hub	
11	v belt	